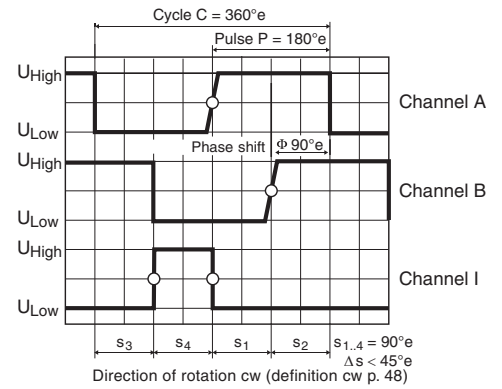
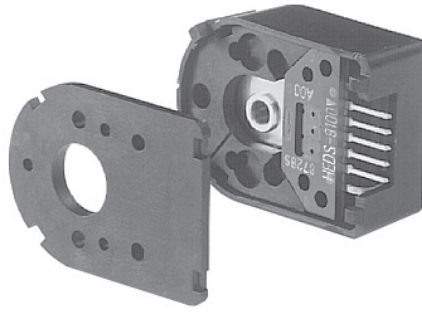
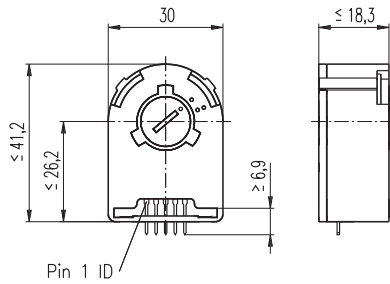


Encoder HEDS 5540, 500 Counts per turn, 3 Channels



- Stock program
- Standard program
- Special program (on request)

Order Number

110511	110513	110515	110517
--------	--------	--------	--------

Type	110511	110513	110515	110517
Counts per turn	500	500	500	500
Number of channels	3	3	3	3
Max. speed (rpm)	12000	12000	12000	12000
Max. operating frequency (kHz)	100	100	100	100
Shaft diameter (mm)	3	4	6	8



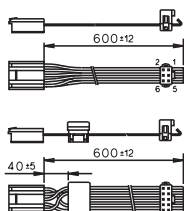
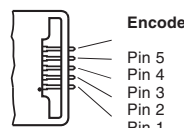
maxon Modular System

+ Motor	Page	+ Gearhead	Page	+ Brake	Page	Overall length [mm] / • see Gearhead
RE 25	78					63.8
RE 25	78	GP 26, 0.5 - 2.0 Nm	228			•
RE 25	78	GP 32, 0.75 - 4.5 Nm	230			•
RE 25	78	GP 32, 0.75 - 6.0 Nm	231/233			•
RE 25	78	KD 32	236			•
RE 25	78	GP 32 S	249-251			•
RE 25, 20 W	78			AB 28	318	94.3
RE 25, 20 W	78	GP 26, 0.5 - 2.0 Nm	228	AB 28	318	•
RE 25, 20 W	78	GP 32, 0.75 - 4.5 Nm	230	AB 28	318	•
RE 25, 20 W	78	GP 32, 0.75 - 6.0 Nm	231/233	AB 28	318	•
RE 25, 20 W	78	KD 32	236	AB 28	318	•
RE 25, 20 W	78	GP 32 S	249-251	AB 28	318	•
RE 50, 150 W	83					128.7
RE 50, 150 W	83	GP 52, 4 - 30 Nm	242			•
RE 50, 150 W	83	GP 62, 8 - 50 Nm	243			•
RE 65, 250 W	84					157.3
RE 65, 250 W	84	GP 81, 20 - 120 Nm	244			•
A-max 26	102-108					63.5
A-max 26	102-108	GP 26, 0.5 - 2.0 Nm	228			•
A-max 26	102-108	GS 30, 0.07 - 0.2 Nm	229			•
A-max 26	102-108	GP 32, 0.75 - 4.5 Nm	230			•
A-max 26	102-108	GP 32, 0.75 - 6.0 Nm	231/234			•
A-max 26	102-108	GS 38, 0.1 - 0.6 Nm	237			•
A-max 26	102-108	GP 32 S				•
A-max 32	110/112					82.3
A-max 32	110/112	GP 32, 0.75 - 6.0 Nm	232/234			•
A-max 32	110/112	GS 38, 0.1 - 0.6 Nm	237			•
A-max 32	100/102	GP 32 S	249-251			•
EC 32, 80 W	153					78.4
EC 32, 80 W	153	GP 32, 0.75 - 6.0 Nm	232/234			•
EC 32, 80 W	153	GP 32 S				•
EC 40, 120 W	154					88.4
EC 40, 120 W	154	GP 42, 3.0 - 15 Nm	238			•
EC 40, 120 W	154	GP 52, 4.0 - 30 Nm	241			•

Technical Data

Supply voltage	5 V ± 10 %
Output signal	TTL compatible
Phase shift Φ	90°e ± 45°e
Signal rise time (typically, at $C_L = 25$ pF, $R_L = 2.7$ k Ω , 25°C)	180 ns
Signal fall time (typically, at $C_L = 25$ pF, $R_L = 2.7$ k Ω , 25°C)	40 ns
Index pulse width	90°e
Operating temperature range	-40 ... +100°C
Moment of inertia of code wheel	≤ 0.6 gcm ²
Max. angular acceleration	250 000 rad s ⁻²
Output current per channel	min. -1 mA, max. 5 mA

Pin Allocation

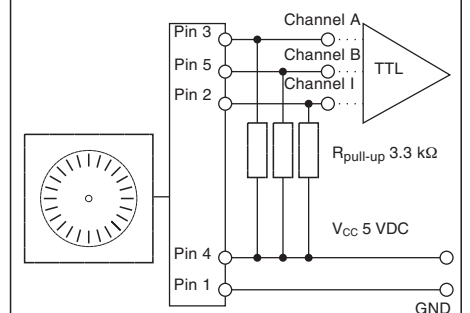


Description	Pin no. from 3409.506
Channel B	1
V _{CC}	2
Channel A	3
Channel I	4
GND	5

Cable with plug:
maxon Art. No. 3409.506
The plug (Harting 918.906.6803) can be fixed in the required position

Cable with plug: (compatible with encoder HEDS5010)
maxon Art. No. 3409.504
The plug (3M 891100101) can be fixed in the required position

Connection example



Ambient temperature range $\vartheta_{U} = 25^{\circ}\text{C}$

The index signal I is synchronised with channel A or B.